

General Description

The LTP3559 is a high voltage, low power consumption and high performance LDO. The family uses an advanced CMOS process and a P-MOSFET pass device to achieve fast start-up, with high output voltage accuracy. The LTP3559 is stable with a 1.0 μF to 10 μF ceramic output capacitor, and uses a precision voltage reference and feedback loop to achieve a worst-case accuracy of 2% over all load, line, process, and temperature variations.

Features

- Wide Input Voltage Range : up to 45 V
- Output Current : 350 mA
- Standard Fixed Output Voltage Options : 1.8 V, 2.5 V, 3.0 V, 3.3 V, 3.6 V, and 5.0 V
- More Output Voltage Options Available on Request
- Low I_Q : 2.6 μA Typically
- Low Dropout Voltage
- Short current protection: 150 mA
- Excellent Load and Line Transient Response
- Line Regulation : 0.01%/V Typically
- Normal Version Available in SOT23-3, SOT23-5 and SOT89-3 Packages
- Shutdown Version Available in SOT23-5 and Tiny DFN1 \times 1-4 Packages

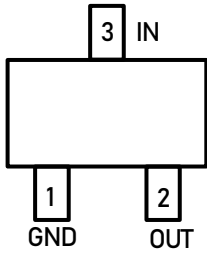
Order Information

Model	Package	Ordering Number ^{Note1}	Packing Option
LTP3559	SOT23-3	LTP3559-xxXT3	Tape and Reel, 3000
	SOT23-5	LTP3559-xxNXT5	Tape and Reel, 3000
	SOT23-5	LTP3559-xxXT5	Tape and Reel, 3000
	SOT89-3	LTP3559-xxXT4	Tape and Reel, 1000
	SOT89-3	LTP3559-xxRXT4	Tape and Reel, 1000
	DFN1 \times 1-4	LTP3559-xxNXF4	Tape and Reel, 10000

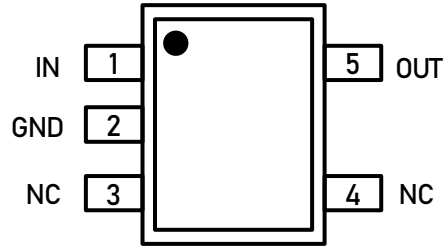
Note1: xx stands for output voltage, e.g. if xx = 18, the output voltage is 1.8 V; if xx = 30, the output voltage is 3.0 V. The device with suffix "N" is shutdown version with enable control input.

Pin Description

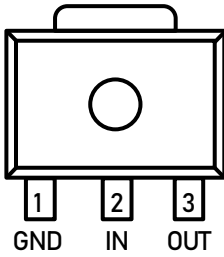
Normal Version Without Enable (Top View)



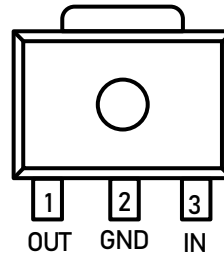
SOT23-3



SOT23-5

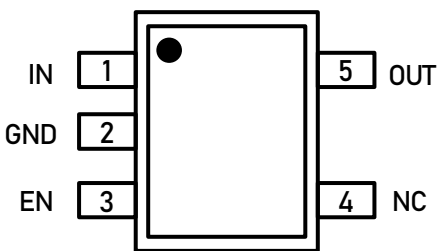


SOT89-3

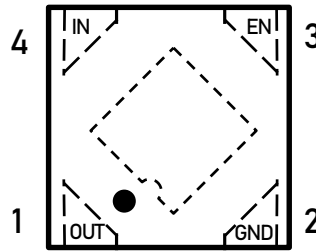


SOT89-3R

Shutdown Version With Enable (Top View)



SOT23-5

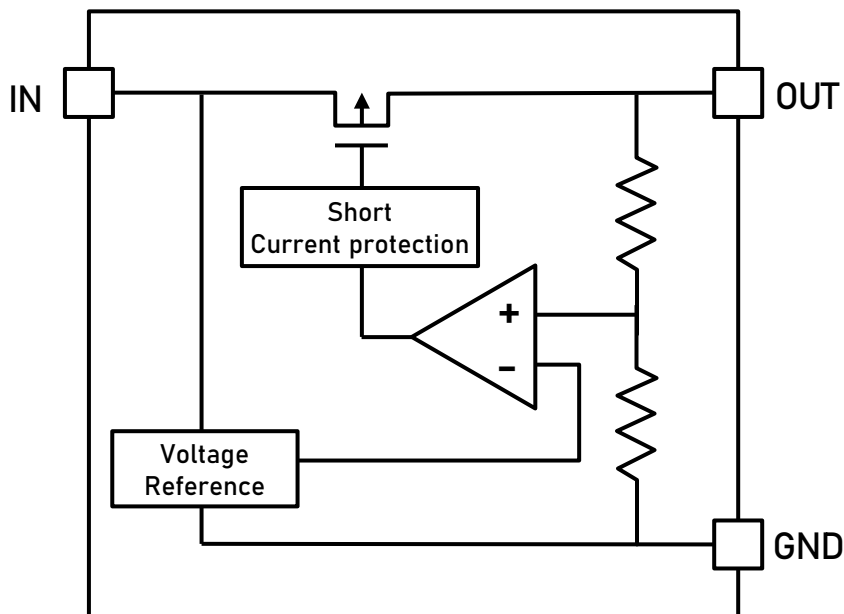


DFN1×1-4

Pin Function

Package						Symbol	Function
SOT23-3	SOT23-5	SOT23-5	SOT89-3	SOT89-3R	DFN1×1-4		
1	2	2	1	2	2	GND	Ground.
3	1	1	2	3	4	IN	Supply input pin.
2	5	5	3	1	1	OUT	Output pin.
		3			3	EN	Enable control input, active high
	3,4	4				NC	No Connection.

Block Diagram



Functional Description

Input Capacitor

A 1 μ F-10 μ F ceramic capacitor is recommended to connect between V_{IN} and GND pins to decouple input power supply glitch and noise. The amount of the capacitance may be increased without limit. This input capacitor must be located as close as possible to the device to assure input stability and less noise. For PCB layout, a wide copper trace is required for both V_{IN} and GND.

Output Capacitor

An output capacitor is required for the stability of the LDO. The recommended output capacitance is from 1 μ F to 10 μ F, Equivalent Series Resistance (ESR) is from 5m Ω to 100m Ω , and temperature characteristics are X7R or X5R. Higher capacitance values help to improve load/line transient response. The output capacitance may be increased to keep low undershoot/overshoot. Place output capacitor as close as possible to OUT and GND pins.

Low Quiescent Current

The LTP3559, consuming only around 2.6 μ A for all input range and output loading, provides great power saving in portable and low power applications.

Short Current Limit Protection

When output current at the OUT pin is higher than current limit threshold or the OUT pin is short-circuit to GND, the short current limit protection will be triggered and clamp the output current to approximately 100 mA to prevent over-current and to protect the regulator from damage due to overheating.

Absolute Maximum Ratings

Parameter	Rating	Unit
IN pin to GND pin	-0.3 to 48	V
OUT pin to GND pin	-0.3 to 6	V
Thermal Resistance (Junction to Ambient)	SOT23-3	360
	SOT23-5	250
	DFN1X1-4	250
	SOT89-3	135
Operating Junction Temperature	-40 to 125	$^{\circ}$ C
Storage Temperature	-65 to 150	$^{\circ}$ C
Lead Temperature (Soldering, 10sec)	300	$^{\circ}$ C
ESD (HBM mode)	ESDA/JEDEC JS-001-2017	\pm 2000V

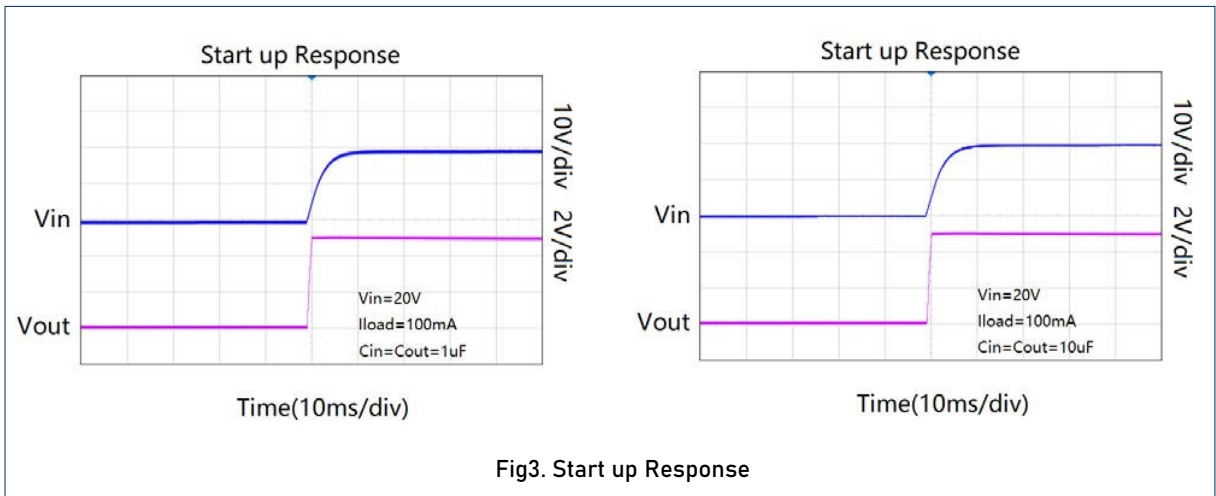
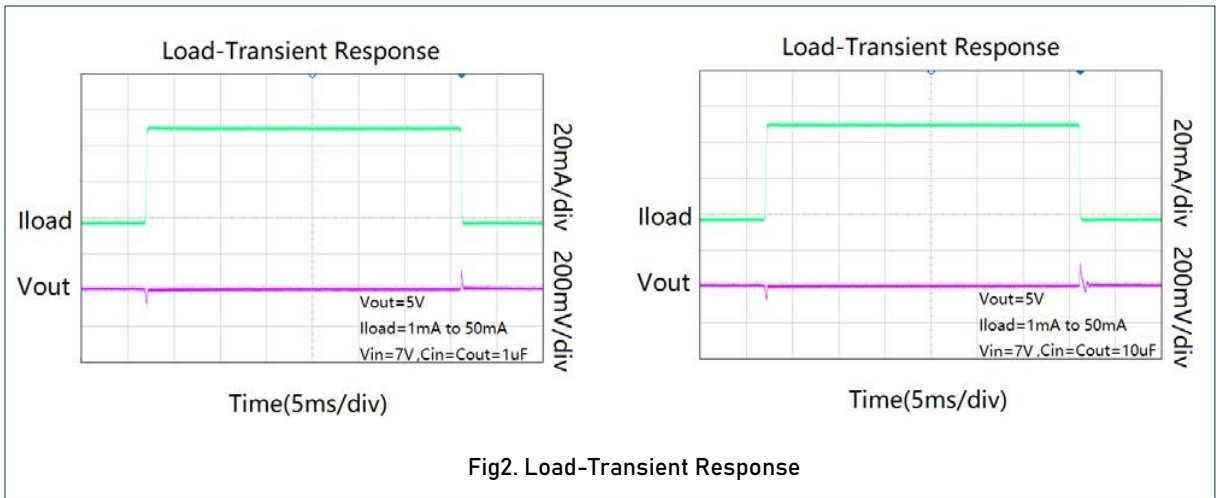
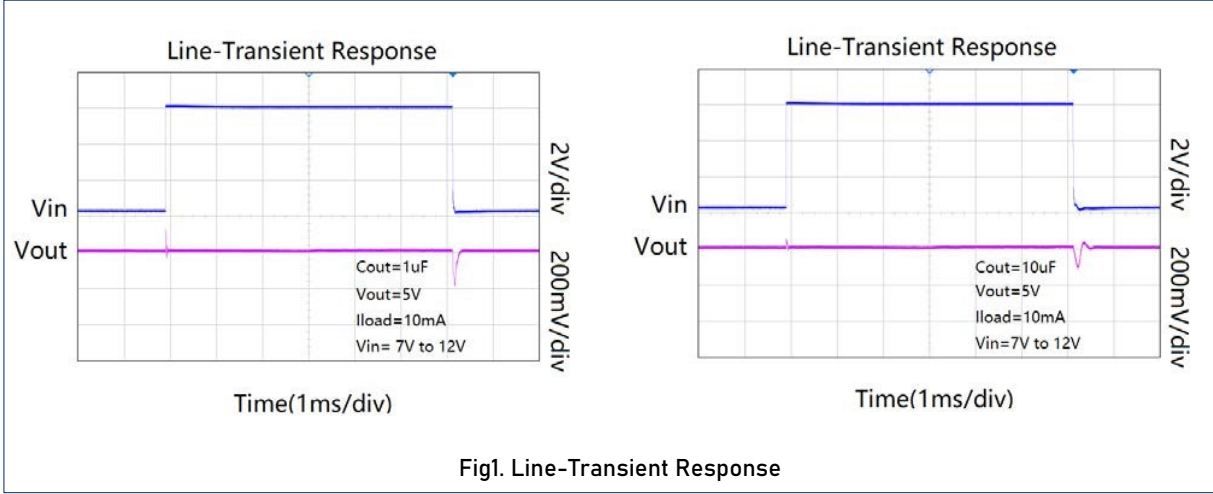
Note: Stresses exceeding those listed in the Maximum Ratings table may damage the device. If any of these limits are exceeded, device functionality should not be assumed, damage may occur and reliability may be affected.

Electrical Characteristics

($V_{IN} = V_{OUT} + 2V$, $I_{OUT} = 10mA$, $C_{IN} = C_{OUT} = 1.0\mu F$, unless otherwise noted. Typical values are at $T_A = +25^\circ C$.)

Parameter	Symbol	Test Conditions	Min	Typ	Max	Unit
Operating Input Voltage	V_{IN}				45	V
Line Regulation	R_{egLINE}	$2.5 V \leq V_{IN} \leq 36 V$, $I_{OUT} = 10 mA$		0.01	0.04	%/V
Dropout Voltage	V_{DROP}	$V_{OUT} = 3.0 V$, $I_{OUT} = 100 mA$		330		mV
		$V_{OUT} = 3.0 V$, $I_{OUT} = 200 mA$		690		
		$V_{OUT} = 5.0 V$, $I_{OUT} = 100 mA$		286		
		$V_{OUT} = 5.0 V$, $I_{OUT} = 200 mA$		581		
Load Regulation	R_{egLOAD}	$1 mA \leq I_{OUT} \leq 300 mA$, $V_{IN} = V_{OUT} + 2 V$			40	mV
Maximum Output Current	I_{OUT}	$V_{IN} = V_{OUT} + 2 V$	350			mA
Quiescent Current	I_Q	$I_{OUT} = 0 mA$		2.5	4	μA
Standby Current	$I_{Q,OFF}$	$V_{EN} = 0 V$, $T_A = 25^\circ C$		0.1	1	μA
EN Pin Threshold Voltage	V_{ENH}	EN Input Voltage "H"	1.2			V
EN Pin Threshold Voltage	V_{ENL}	EN Input Voltage "L"			0.4	V
EN Pin Current	I_{EN}	$V_{EN} = 0$ to $36V$		1		μA
Power Supply Rejection Ratio	PSRR	$V_{IN} = V_{OUT} + 1 V$ $I_{OUT} = 20 mA$ $f = 1 kHz$		60		dB
Output Noise Voltage	e_N	$V_{IN} = V_{OUT} + 2 V$, $I_{OUT} = 1 mA$, $f = 10 Hz$ to $100 KHz$, ($V_{OUT} = 3 V$) $C_{OUT} = 1 \mu F$		100		μV_{rms}
Thermal Shutdown Temperature	T_{SD}	Temperature Increasing from $T_A = +25^\circ C$		155		$^\circ C$
Thermal Shutdown Hysteresis	T_{SDH}	Temperature Falling From TSD		20		$^\circ C$

Typical Performance Characteristics



Typical Performance Characteristics

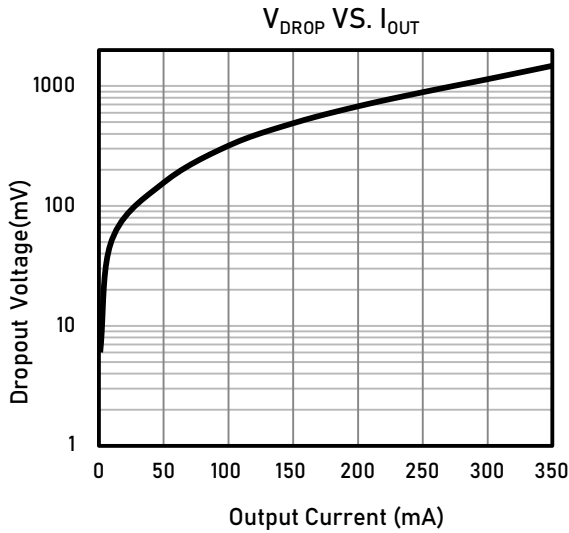


Fig4. Dropout Voltage VS Output Current

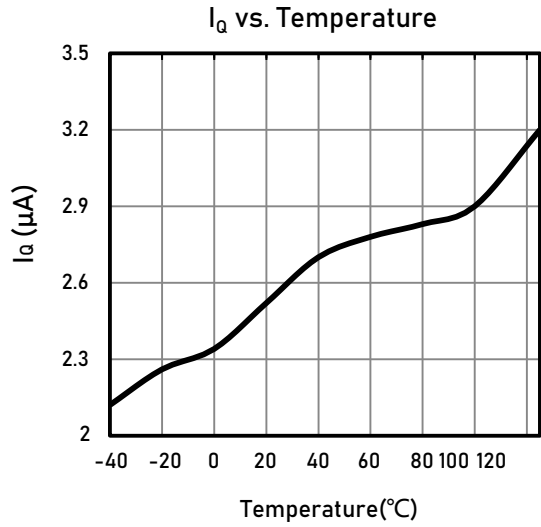
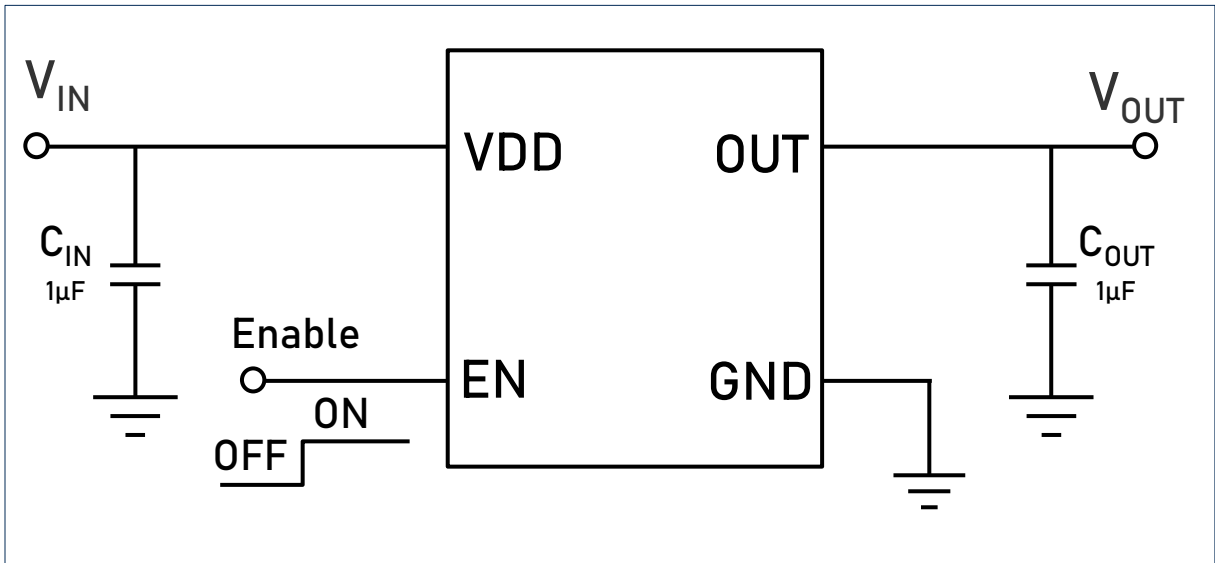


Fig5. I_Q VS Temperature

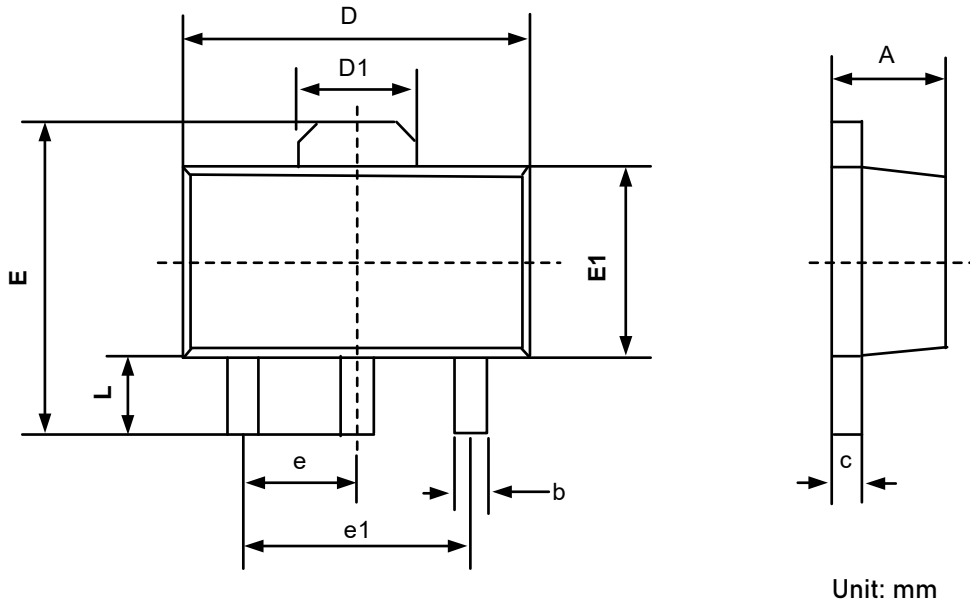
Application Circuits



CAUTION: These devices are sensitive to electrostatic discharge; follow proper IC Handling Procedures.
 Linearin and designs are registered trademarks of Linearin Technology Corporation.
 © Copyright Linearin Technology Corporation. All Rights Reserved.
 All other trademarks mentioned are the property of their respective owners.

Package Dimension

SOT89-3

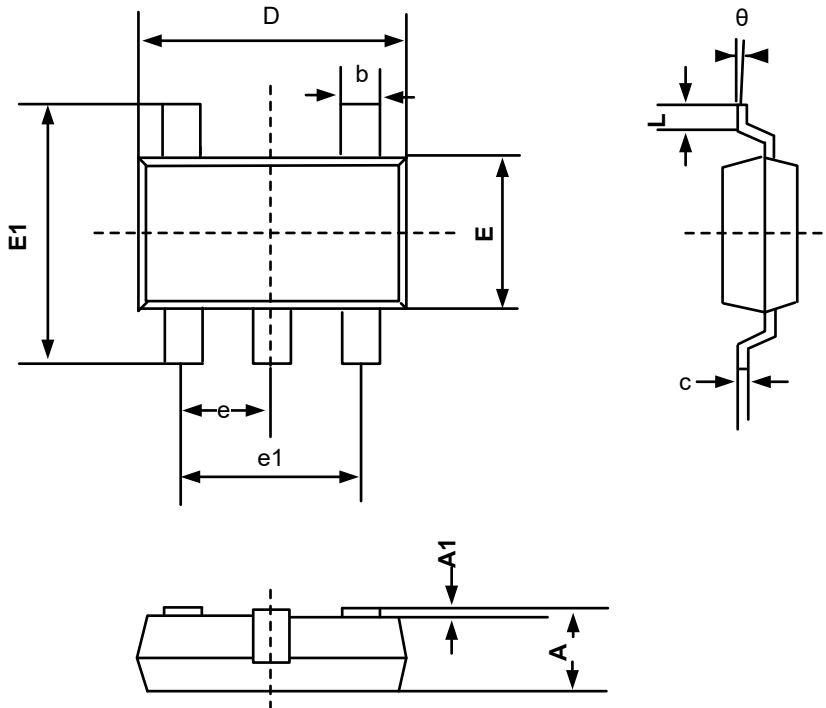


Unit: mm

Symbol	Dimensions In Millimeters	
	Min	Max
A	1.400	1.600
b	0.320	0.520
c	0.350	0.440
D	4.400	4.600
D1	1.550REF	
E	3.940	4.250
E1	2.300	2.600
e	1.500BSC	
e1	3.000BSC	
L	0.900	1.200

Package Dimension

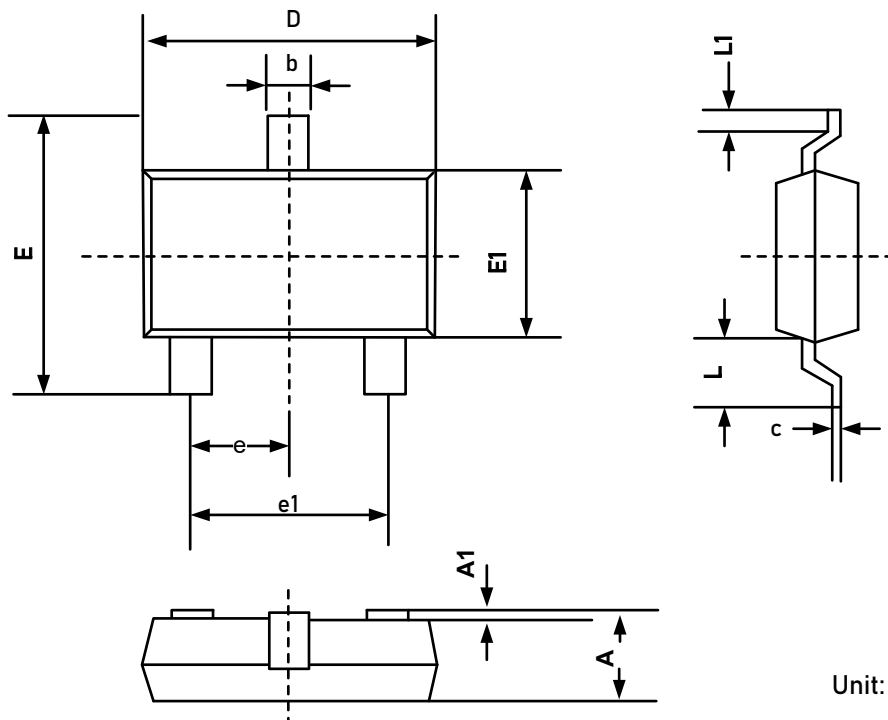
SOT23-5



Unit: mm

Symbol	Dimensions In Millimeters	
	MIN	MAX
A	1.050	1.250
A1	0.000	0.100
b	0.350	0.500
c	0.080	0.200
D	2.820	3.020
E	2.600	3.000
E1	1.600	1.700
e	0.950BSC	
e1	1.800	2.000
L	0.300	0.600
θ	0°	8°

SOT23-3

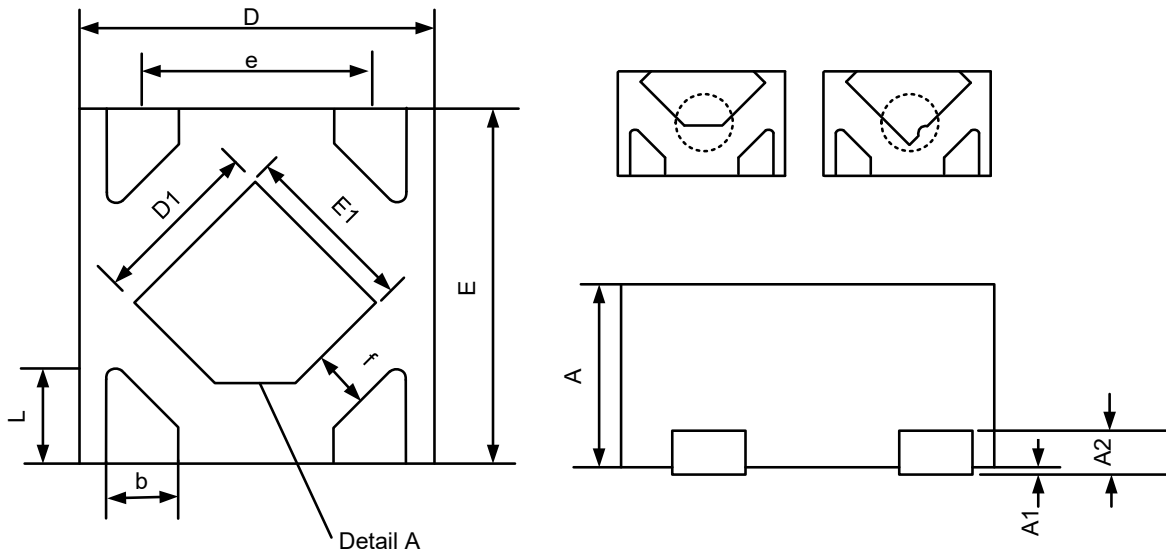


Unit: mm

Symbol	Dimensions In Millimeters	
	MIN	MAX
A	1.050	1.250
A1	0.000	0.100
b	0.300	0.400
c	0.100	0.200
D	2.820	3.020
E	2.600	3.000
E1	1.500	1.700
e	0.950BSC	
e1	1.800	2.000
L1	0.300	0.600
L	/	0.700

Package Dimension

DFN1×1-4



Unit: mm

Symbol	Dimensions In Millimeters		
	MIN	MOD	MAX
A	0.450	0.500	0.550
A1	0.000	0.025	0.050
A2	0.125REF		
D	0.950	1.000	1.050
D1	0.380	0.480	0.580
E	0.950	1.000	1.050
E1	0.380	0.480	0.580
b	0.150	0.200	0.250
e	0.650BSC		
f	0.190	0.195	0.200
L	0.150	0.250	0.350